



Architectural Windows

2250i/3250i/4250i-XLT INvent™ Series

Elevations Viewed From The Exterior

Section Contents

Details	P18-2 and P18-4
Posts and Stacks	P18-5 and P18-7
Glazing Options	P18-8
-BHM Blast Mitigation	P18-9
-HP Hurricane Impact	P18-10
Blind Options	P18-11 and P18-12
Simulated Double Hung	P18-13 through P18-24
Accessories	P18-25 through P18-28
Isometric Views	P18-29 and P18-30

Page(s)

AAMA Test Configurations (shown)

Architectural AW Class

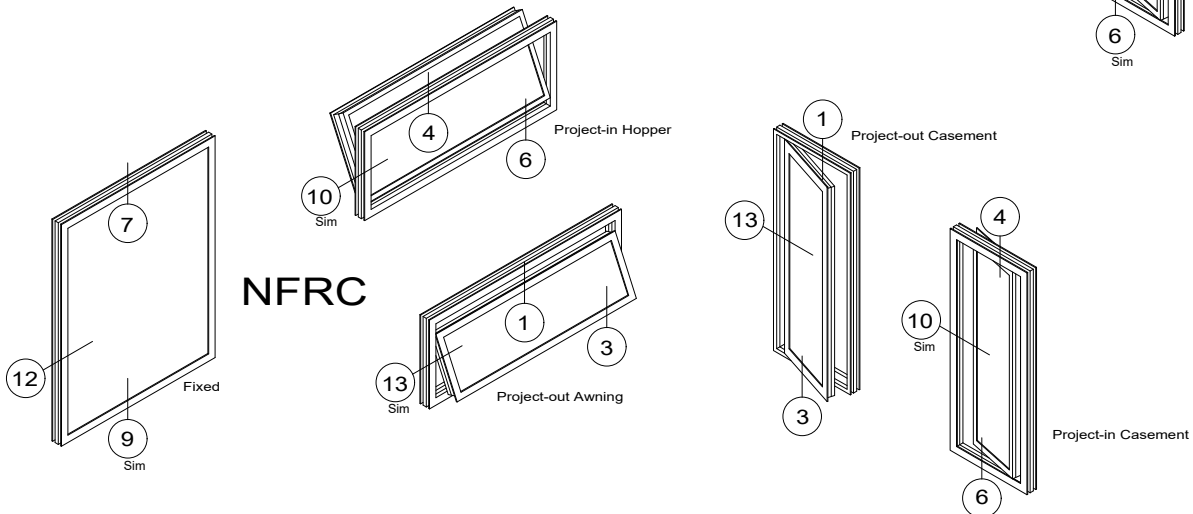
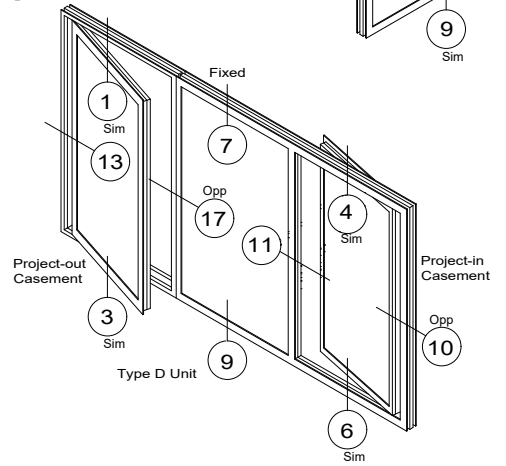
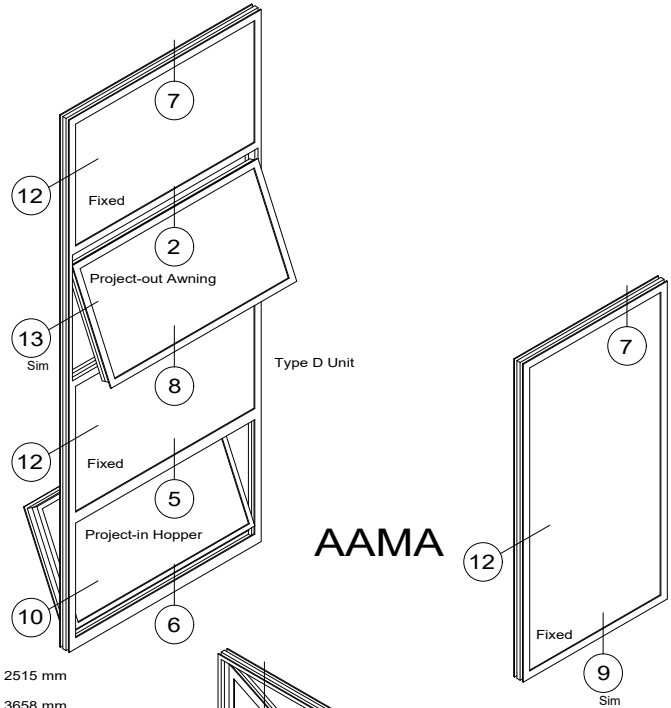
For air, water, cycling and structural

Fixed Frame Size	60" x 99"	Fixed	1524 mm x 2515 mm
Projected Frame Size	60" x 144"	Type D	1524 mm x 3658 mm
Casement Frame Size	108" x 60"	Type D	2743 mm x 1524 mm
Gateway Sizes	60" x 36"	Projected	1524 mm x 914 mm
	36" x 60"	Casement	914 mm x 1524 mm

NFRC 100 Thermal Test Configurations (shown)

For U-Factor, SHGC and CR

Fixed Frame Size	47" x 59"	1200 mm x 1500 mm
Projected Frame Size	59" x 24"	1500 mm x 600 mm
Casement Frame Size	24" x 59"	600 mm x 1500 mm



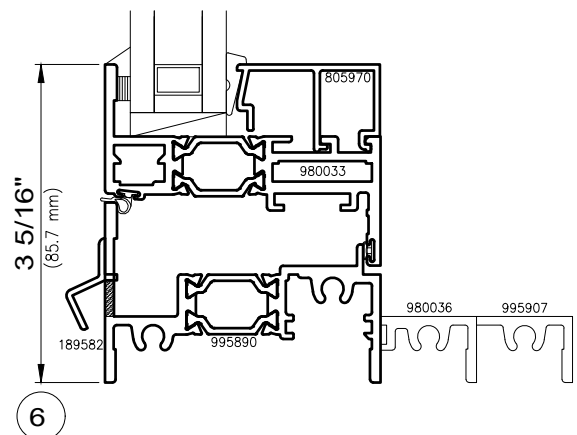
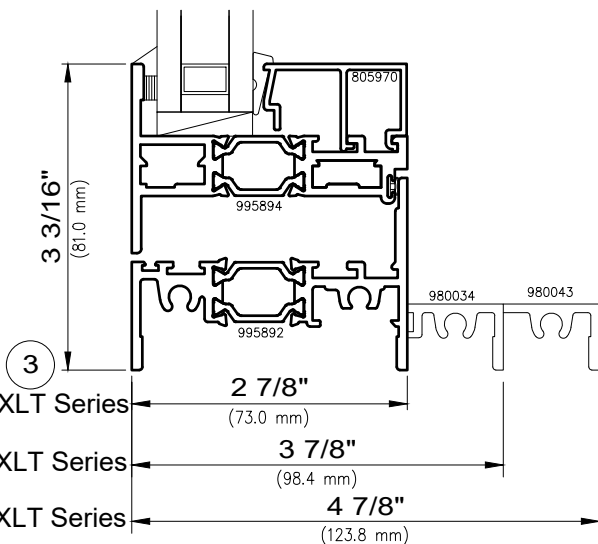
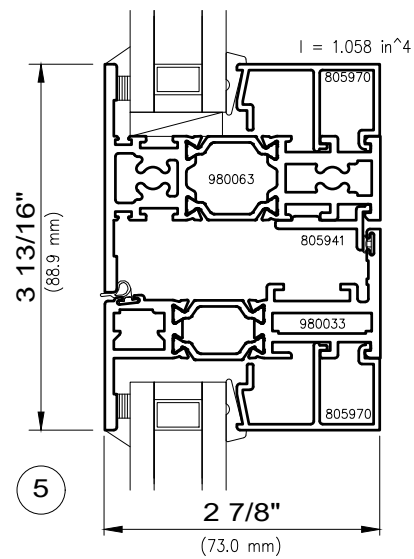
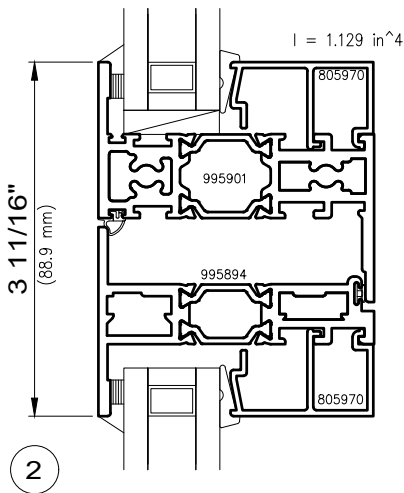
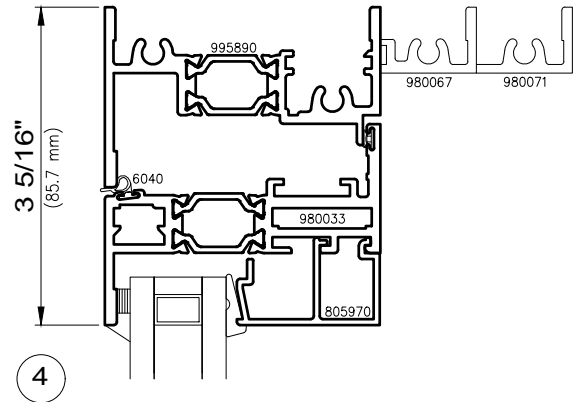
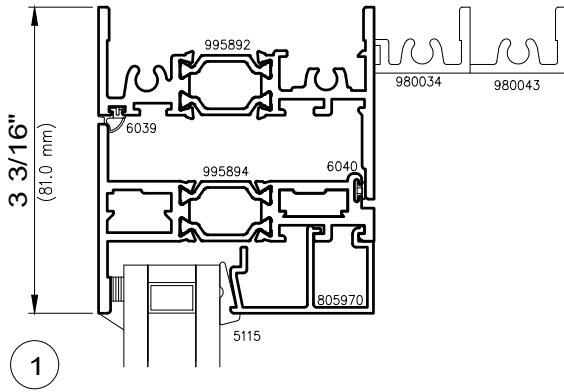
2250i/3250i/4250i-XLT INvent

Contact A Wausau Representative For Other Possible Configurations



Architectural Windows

2250i/3250i/4250i-XLT INvent™ Series





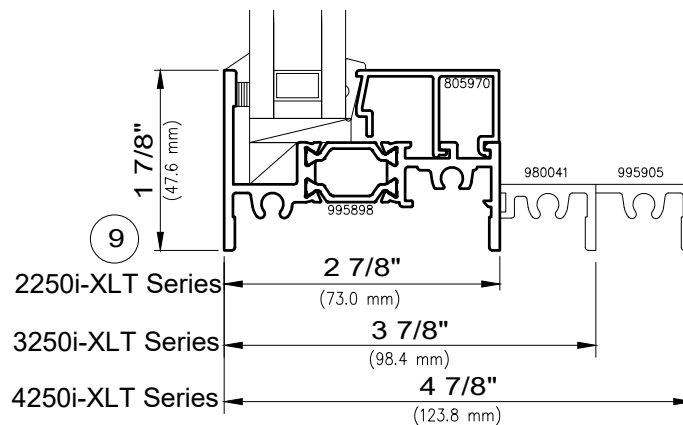
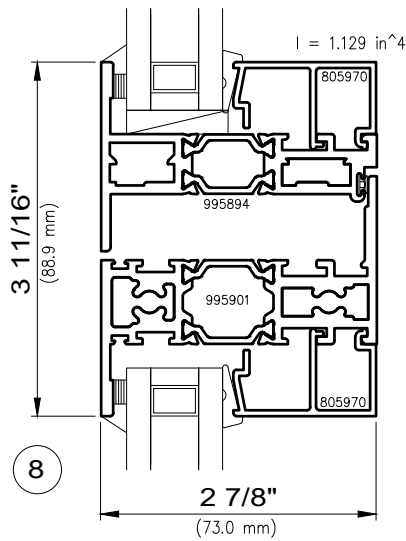
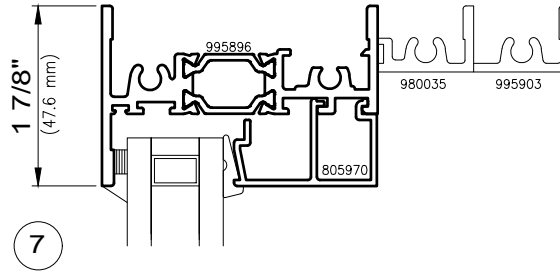
WAUSAU

WINDOW AND WALL
SYSTEMS

Projected and Fixed Details

Architectural Windows

2250i/3250i/4250i-XLT INvent™ Series





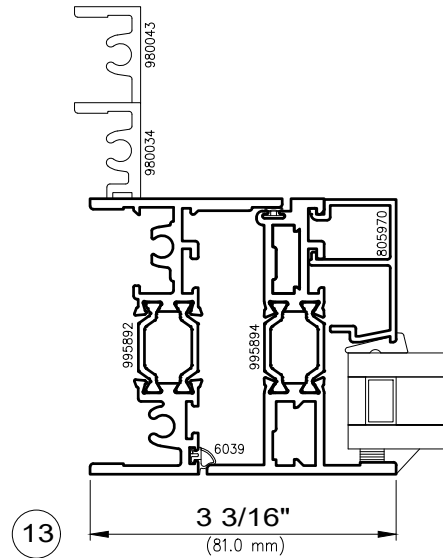
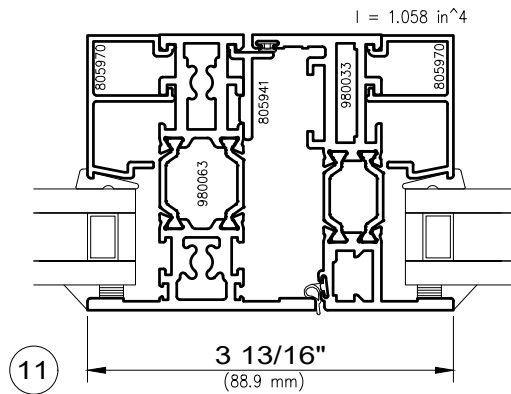
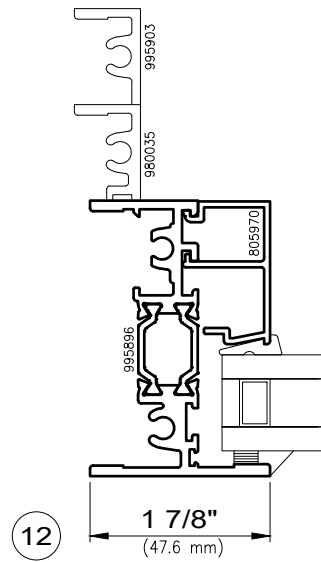
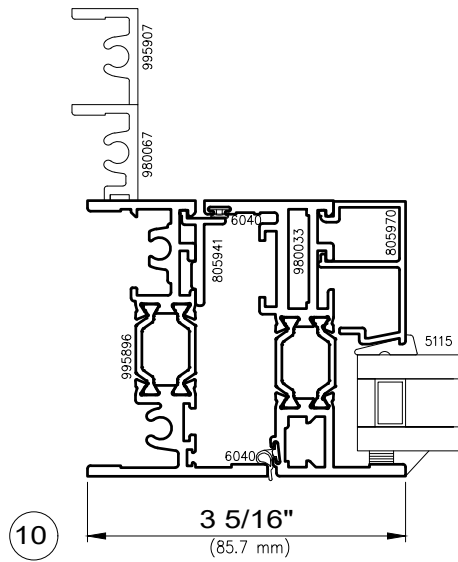
WAUSAU

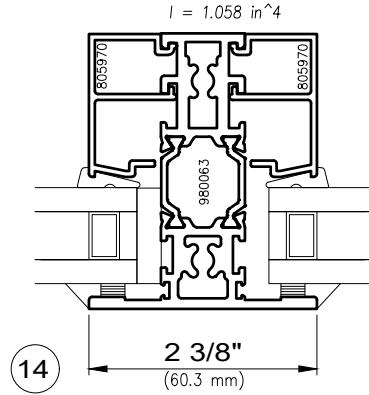
WINDOW AND WALL
SYSTEMS

Projected and Fixed Details

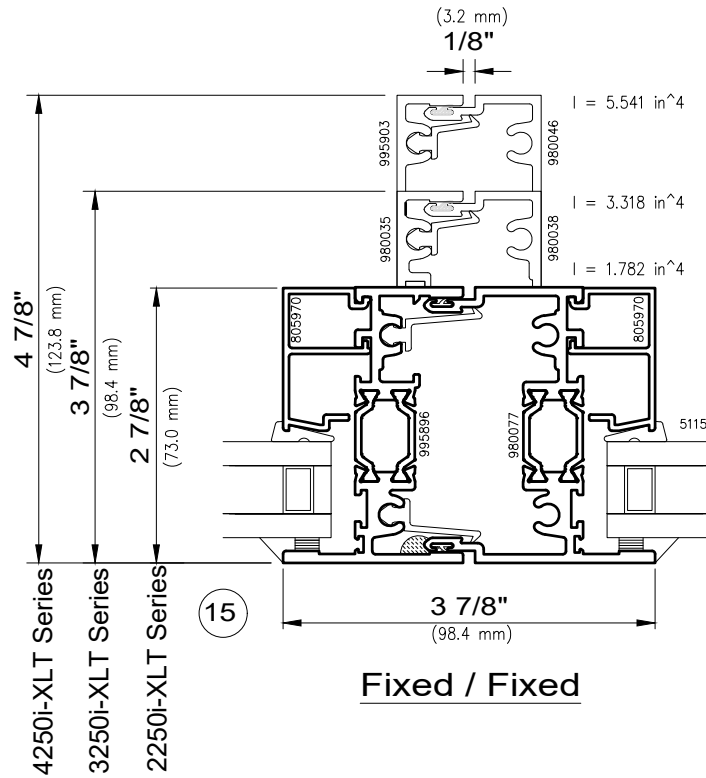
Architectural Windows

2250i/3250i/4250i-XLT INvent™ Series



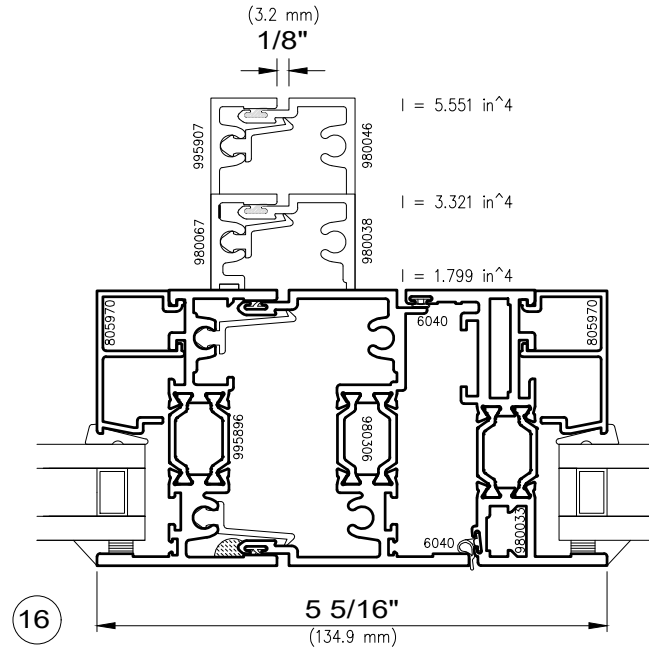


Fixed / Fixed Post

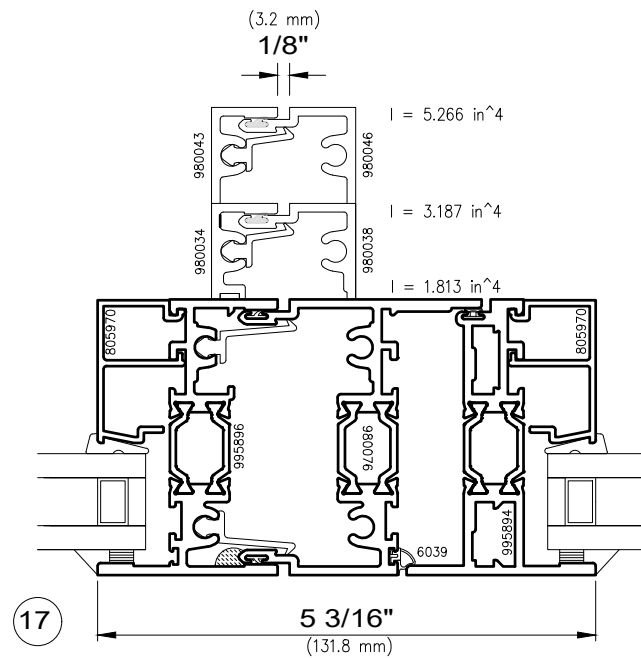


Fixed / Fixed

I-values indicated are for frame members only.
Thermal barrier shear reductions of 10% are included.

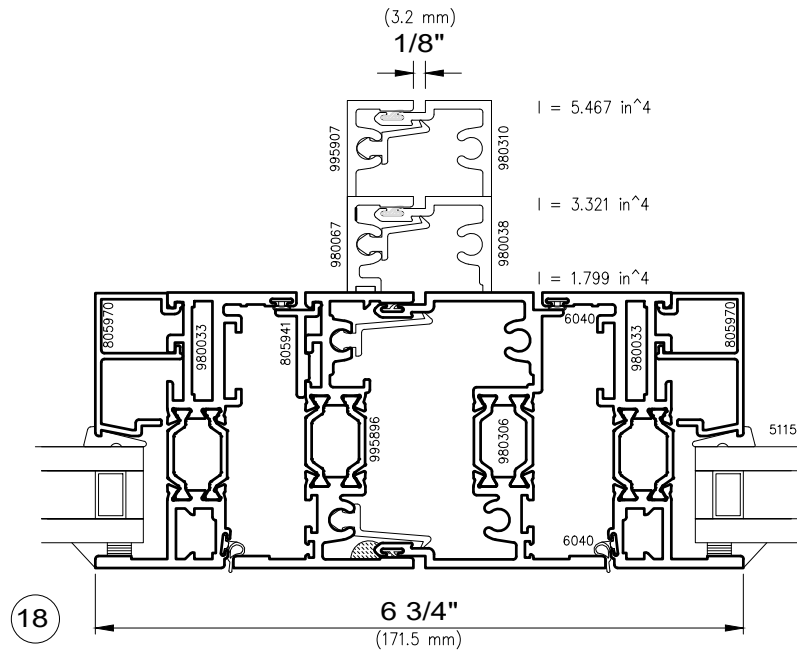


Fixed / Project-In

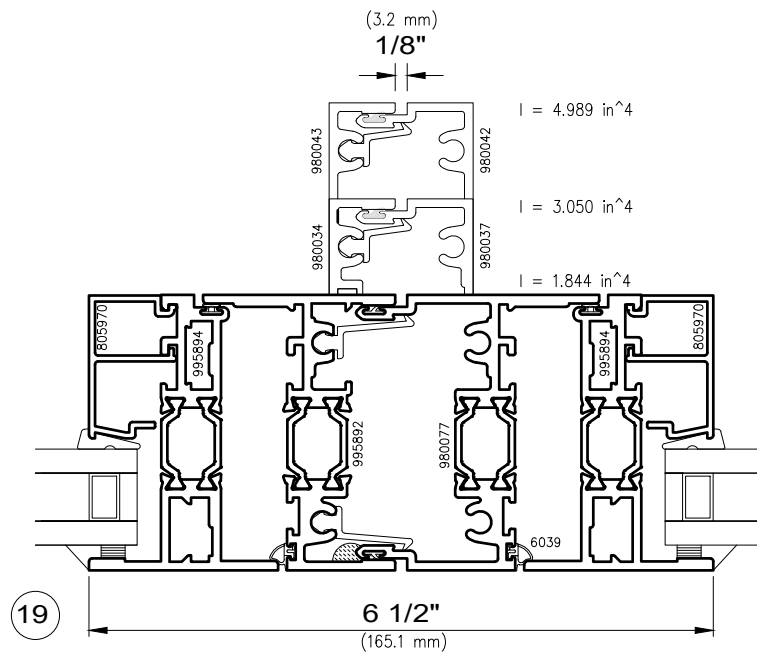


Fixed / Project-Out

I-values indicated are for frame members only.
Thermal barrier shear reductions of 10% are included.



Project-In Vent / Project-In Vent



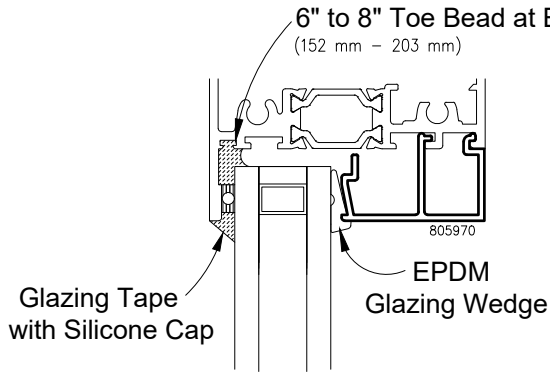
Project-Out Vent / Project-Out Vent

I-values indicated are for frame members only.
Thermal barrier shear reductions of 10% are included.

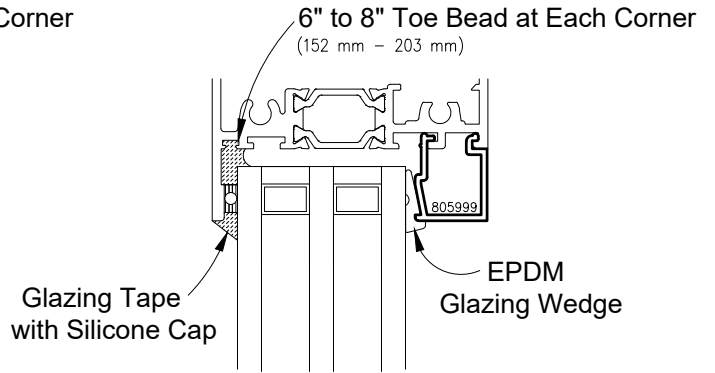


Architectural Windows

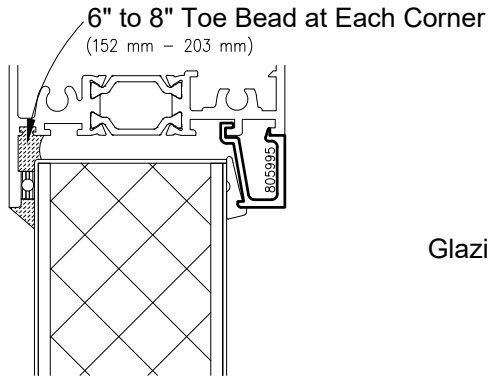
2250i/3250i/4250i-XLT INvent™ Series



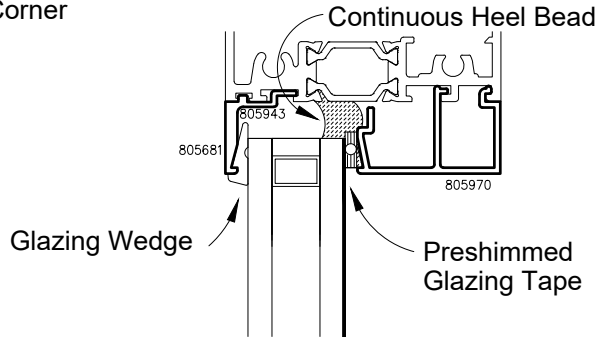
1" Insulating Glass
Inside Glazed



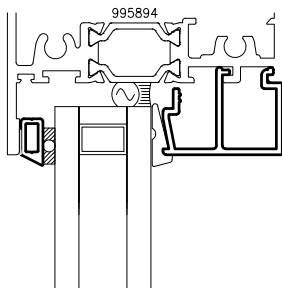
1 3/4" Triple Insulating Glass
Inside Glazed



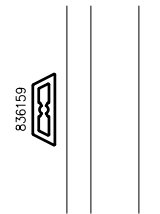
2" Panel
Inside Glazed



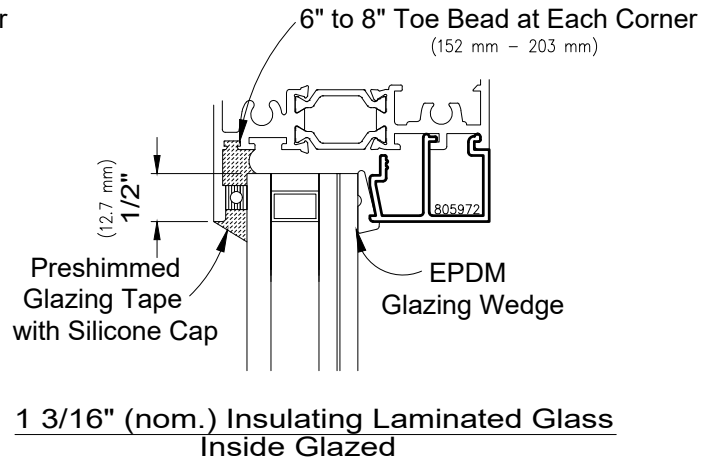
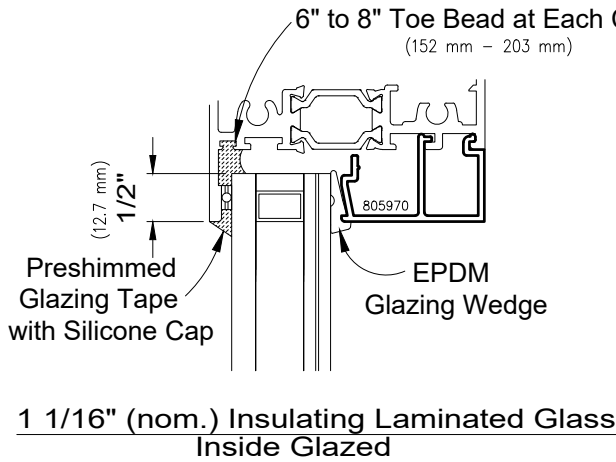
1" Spandrel
Outside/Inside Glazed



Glazed-In Muntin Grids
Outside Glazed



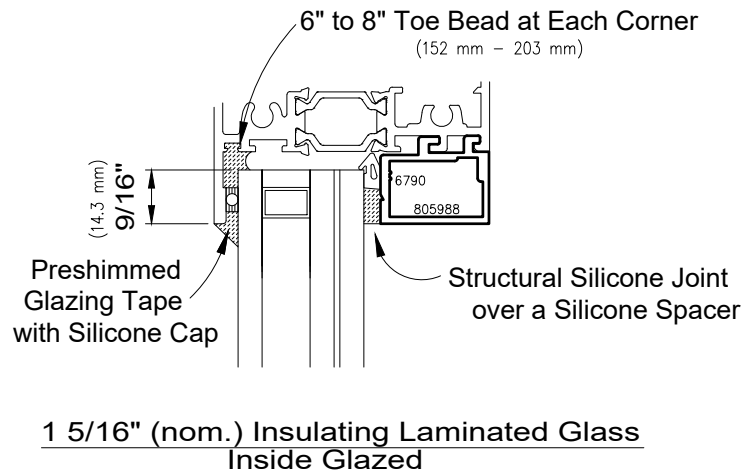
Glazed-In Muntin Grids
1" Insulating Glass



-BHM Blast Hazard Mitigation

Peak Pressure and Impulse up to 10 psi - 89 psi-msec

Contact Wausau for
blast glazing details
applicable to the
specific requirements
of your project





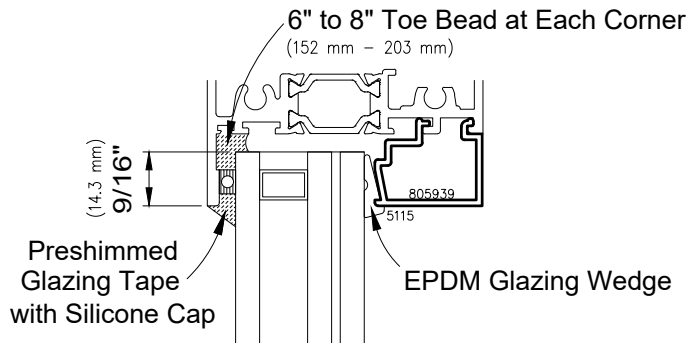
WAUSAU

WINDOW AND WALL
SYSTEMS

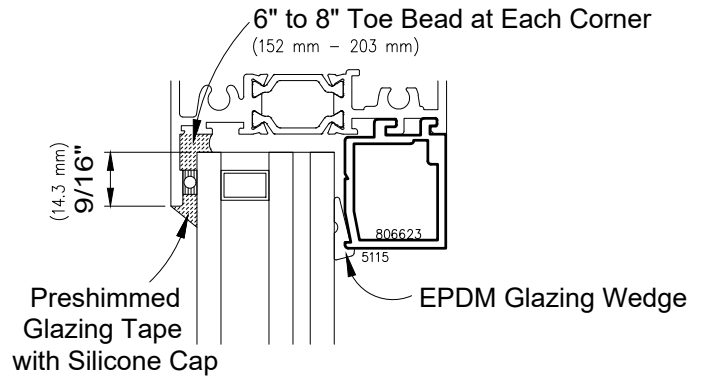
-HP Hurricane Glazing Options

Architectural Windows

2250i/3250i/4250i-XLT INvent™ Series



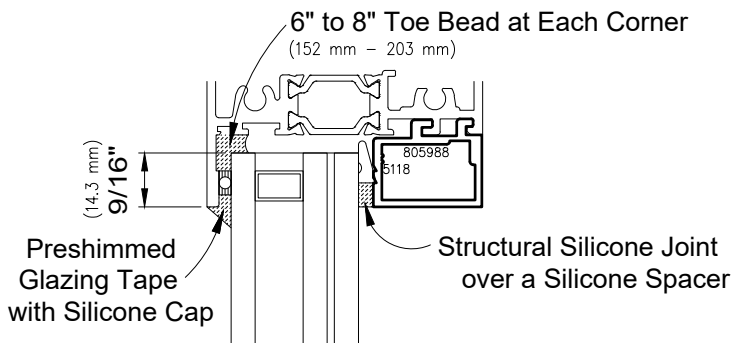
1 5/16" (nom.) Insulating Laminated Glass
 Inside Glazed
 Between-Glass Blinds Also Available
 D Missile - SentryGlas® Interlayer



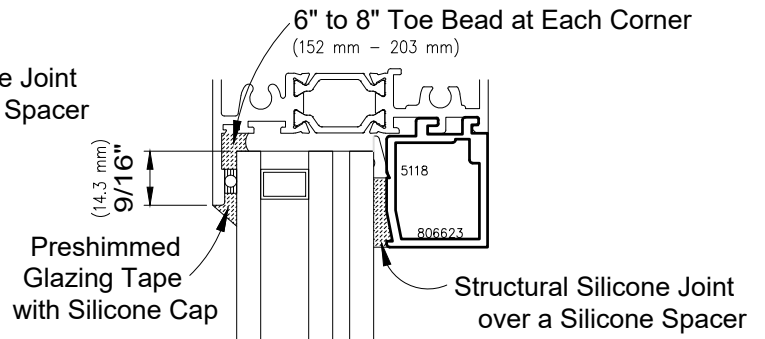
1 7/16" (nom.) Insulating Laminated Glass
 Inside Glazed
 Between-Glass Blinds Also Available
 E Missile - SentryGlas® Interlayer

-HP Hurricane Impact Resistant

Contact Wausau for hurricane glazing details applicable to the specific requirements of your project



1 5/16" (nom.) Insulating Laminated Glass
 Inside Glazed
 Between-Glass Blinds Also Available
 D Missile - Vanceva Storm® Interlayer



1 7/16" (nom.) Insulating Laminated Glass
 Inside Glazed
 Between-Glass Blinds Also Available
 E Missile - Vanceva Storm® Interlayer



Miami-Dade County
 Product Control Approved
 Wausau, Wisconsin

Casement Window, Large (D and E) Missile, Notice of Acceptance (NOA) #13-0917.04 Miami-Dade County, Florida, 03Apr19
 Casement Window, Large (D and E) Missile, Notice of Acceptance (NOA) #13-0917.05 Miami-Dade County, Florida, 03Apr19
 Fixed Window, Large (D and E) Missile, Notice of Acceptance (NOA) #13-0917.06 Miami-Dade County, Florida, 03Apr19
 Awning Window, Large (D and E) Missile, Notice of Acceptance (NOA) #13-0917.07 Miami-Dade County, Florida, 03Apr19
 Projected Window, Large (D and E) Missile, Notice of Acceptance (NOA) #13-0917.08 Miami-Dade County, Florida, 03Apr19



WAUSAU

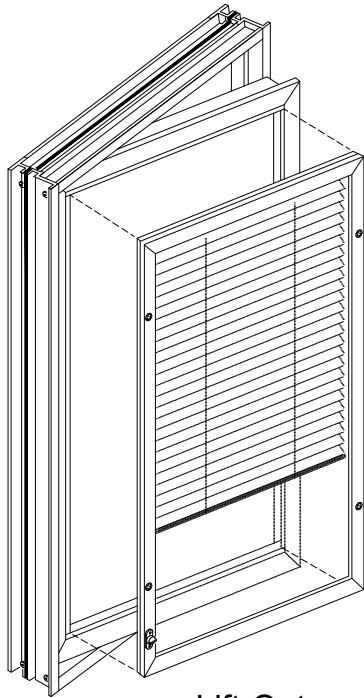
WINDOW AND WALL
SYSTEMS

Blind Options

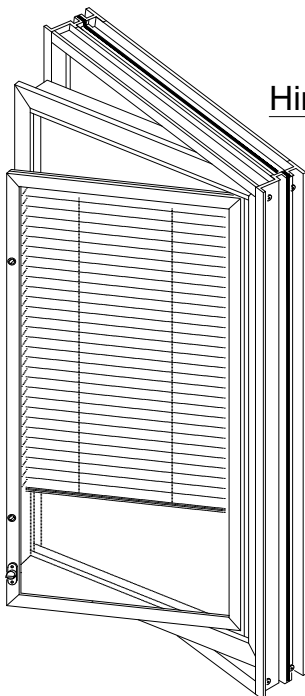
Architectural Windows

2250i/3250i/4250i-XLT INvent™ Series

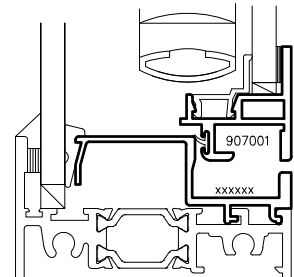
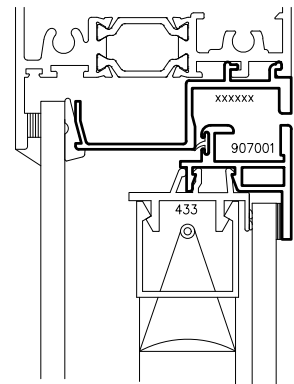
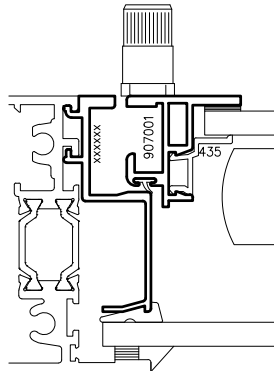
Elevations Shown As Viewed From The Interior



Lift-Out



Hinged



1" Blind/Dual Glazed



WAUSAU

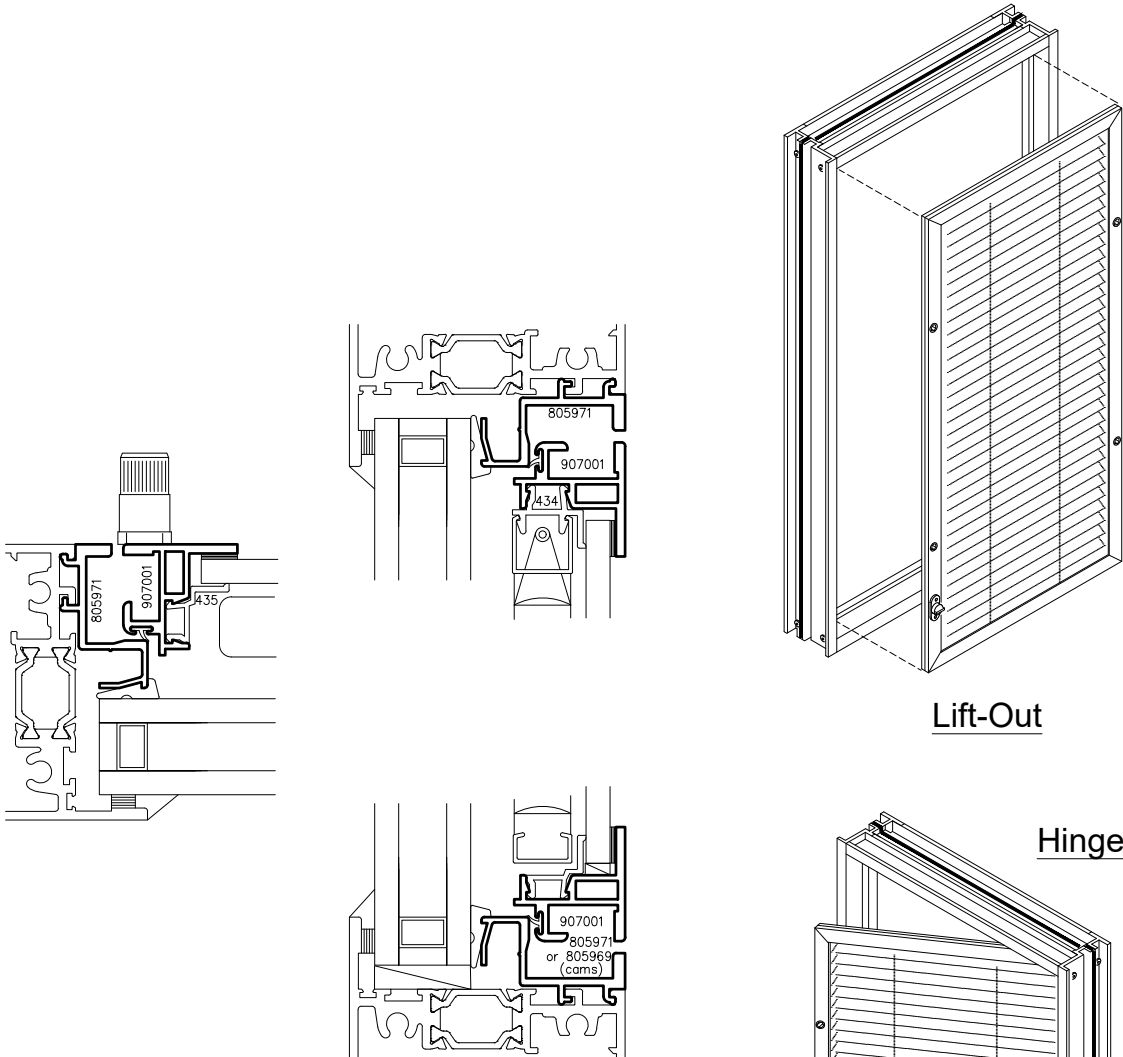
WINDOW AND WALL
SYSTEMS

Blind Options

Architectural Windows

2250i/3250i/4250i-XLT INvent™ Series

Elevations Shown As Viewed From The Interior



Lift-Out

Hinged

5/8" Blind/Triple Glazed



WAUSAU

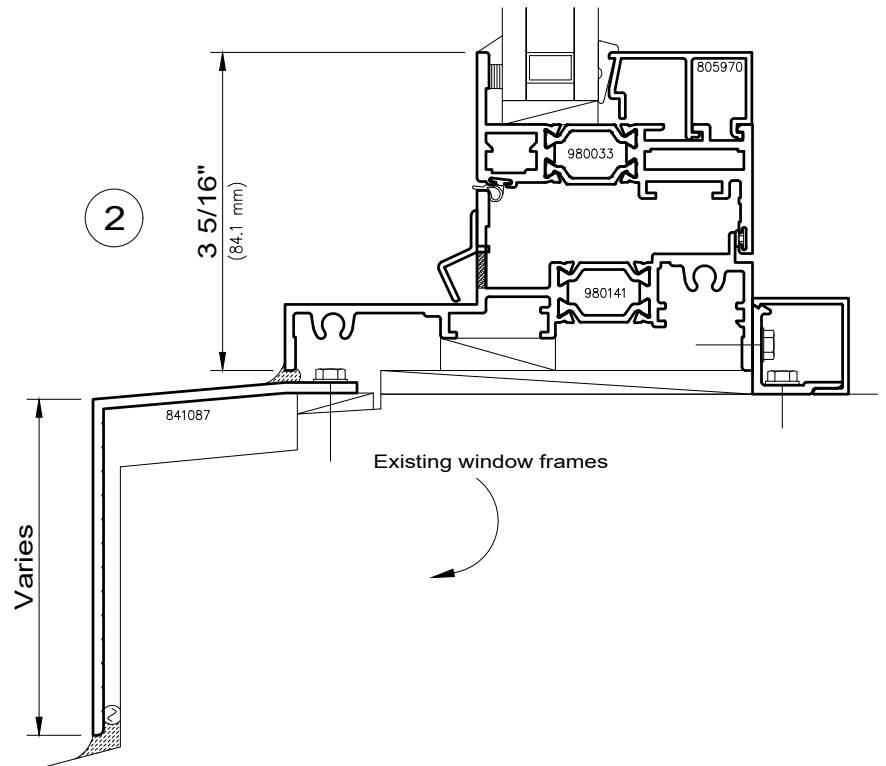
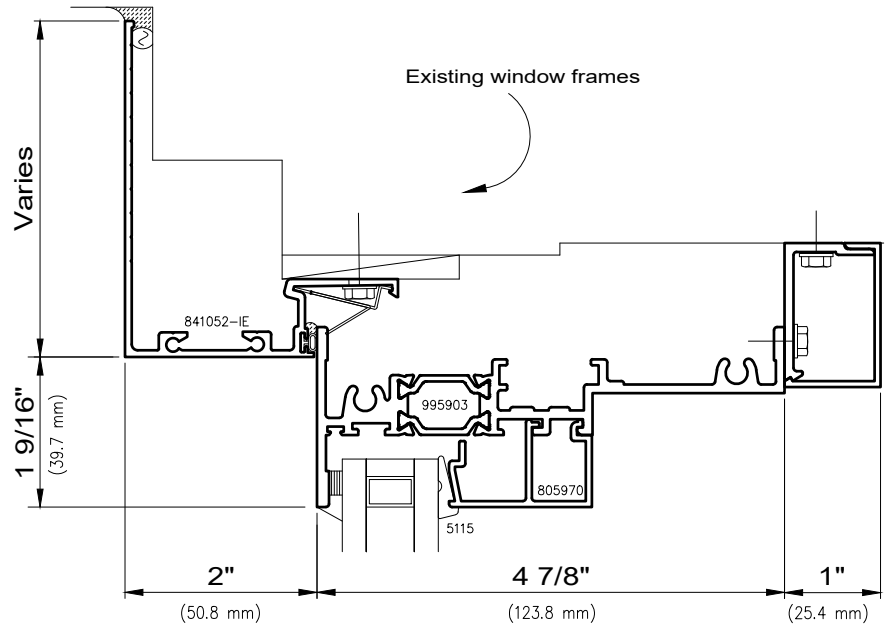
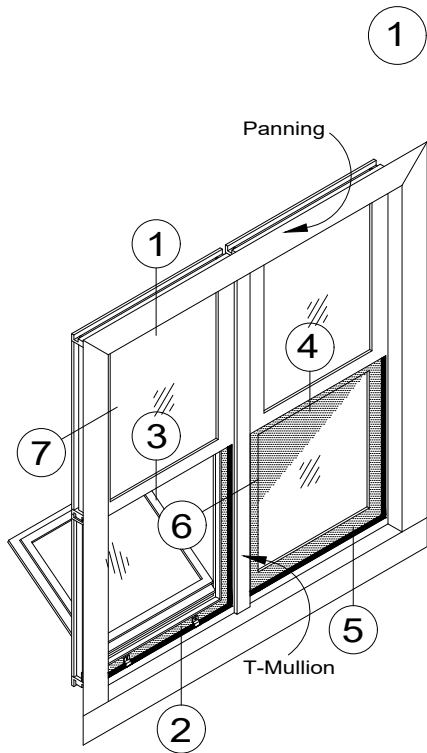
WINDOW AND WALL
SYSTEMS

Simulated Double Hung
Panning and T-Mullions

Architectural Windows

2250i/3250i/4250i-XLT INvent™ Series

Panning and mullions are available in various depths, with optional historic ogee or reverse cove profiles. Refer to "Accessories" for more information.



4250i-XLT INvent simulated double hung windows in multiple bays must be used in conjunction with T-mullions or H-mullions. Side stacking jambs not available.



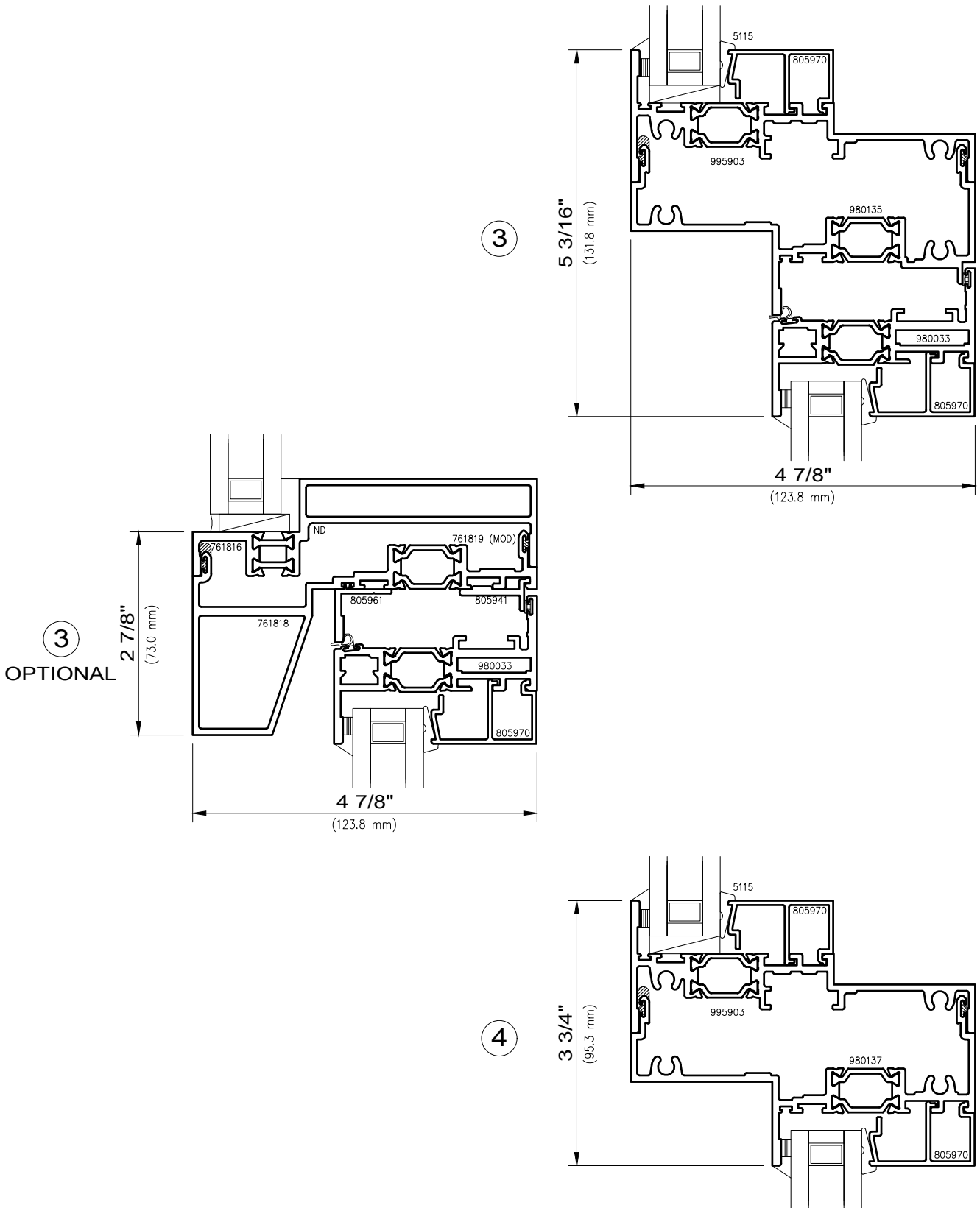
WAUSAU

WINDOW AND WALL
SYSTEMS

Simulated Double Hung
Panning and T-Mullions

Architectural Windows

2250i/3250i/4250i-XLT INvent™ Series





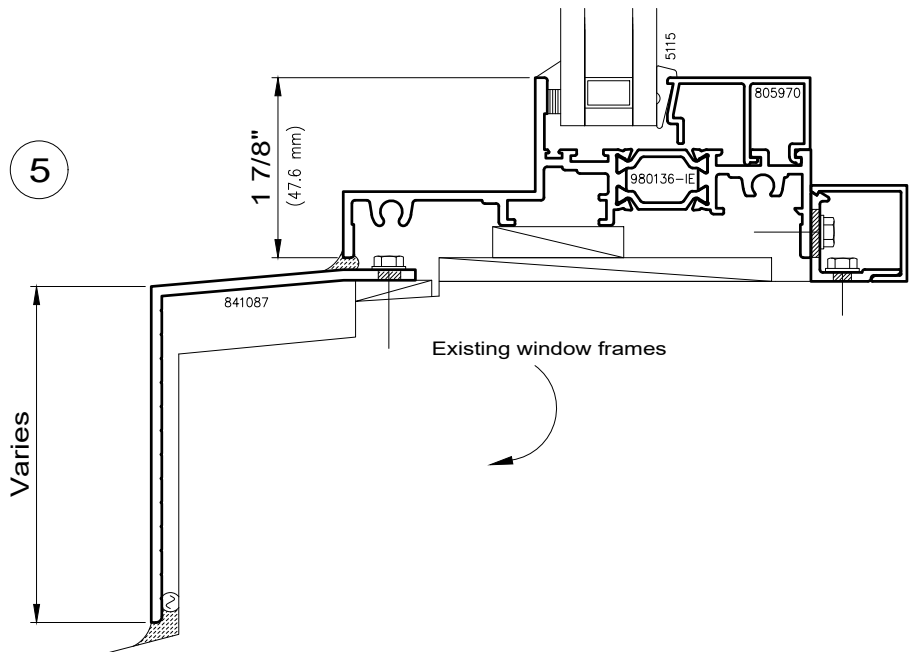
WAUSAU

WINDOW AND WALL
SYSTEMS

Simulated Double Hung
Panning and T-Mullions

Architectural Windows

2250i/3250i/4250i-XLT INvent™ Series



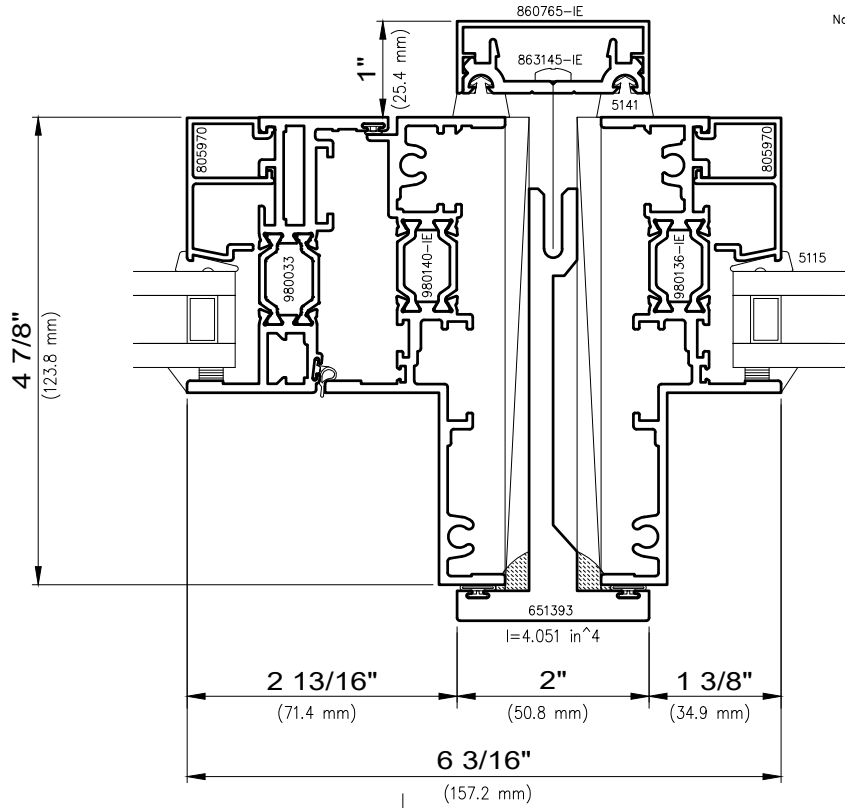
4250i-XLT INvent simulated double hung windows in multiple bays must be used in conjunction with T-mullions or H-mullions. Side stacking jambs not available.



Architectural Windows

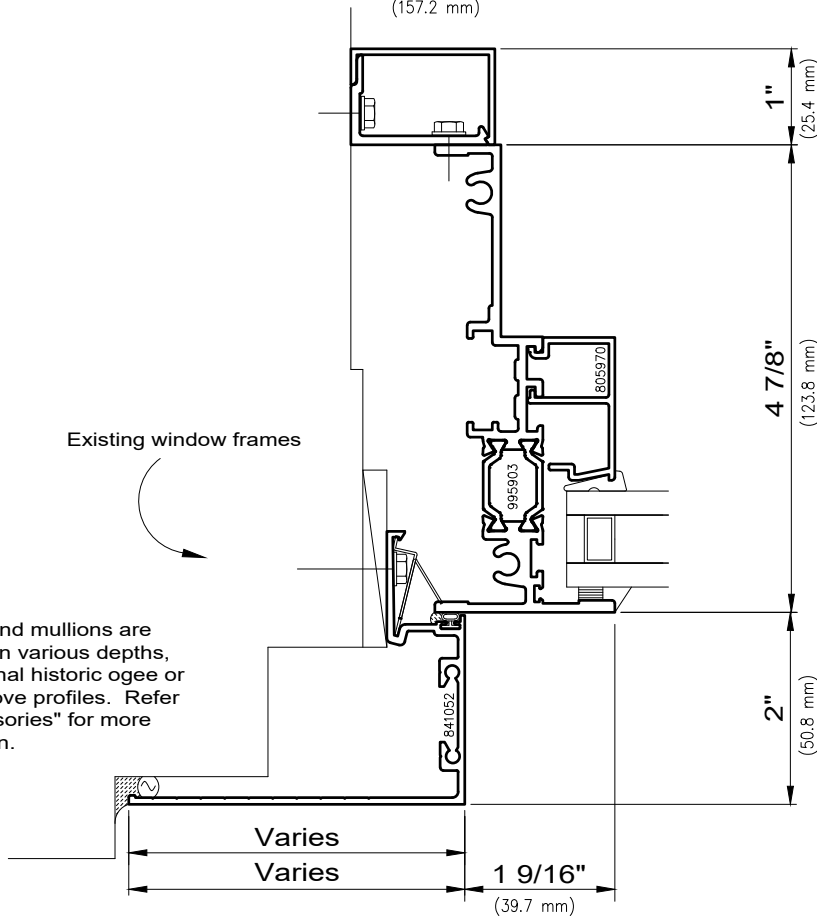
2250i/3250i/4250i-XLT Invent™ Series

Non-stocked items shown - Minimum order quantity may apply



4250i-XLT Invent simulated double hung windows in multiple bays must be used in conjunction with T-mullions or H-mullions. Side stacking jambs not available.

6



Panning and mullions are available in various depths, with optional historic ogee or reverse cove profiles. Refer to "Accessories" for more information.

7



WAUSAU

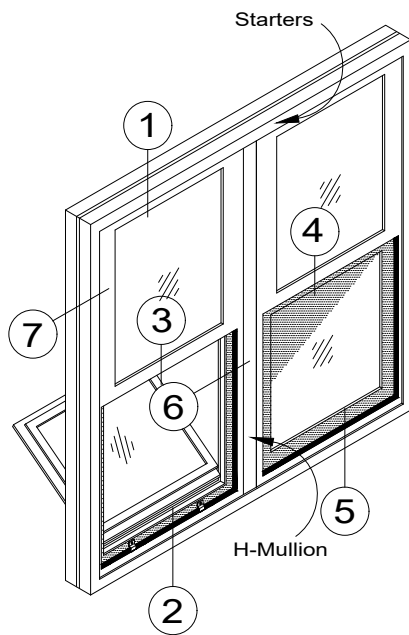
WINDOW AND WALL
SYSTEMS

Simulated Double Hung
Starters and H-Mullions

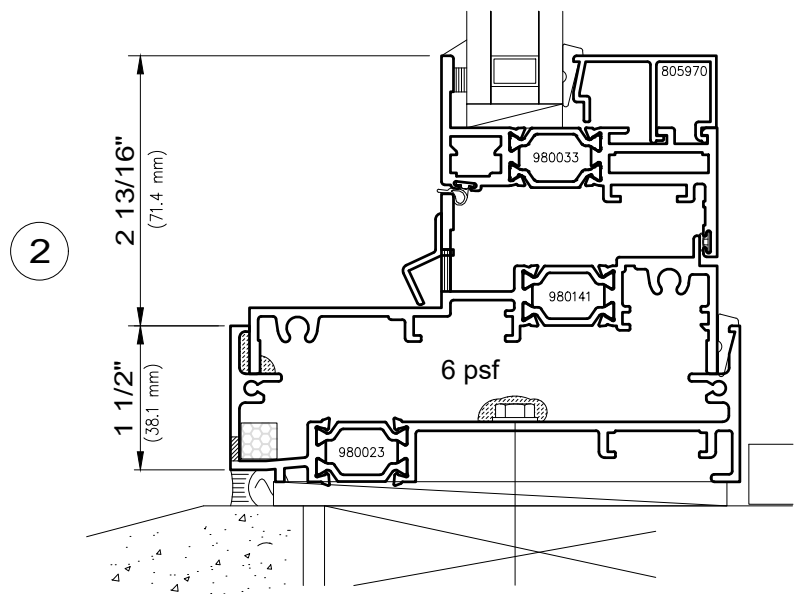
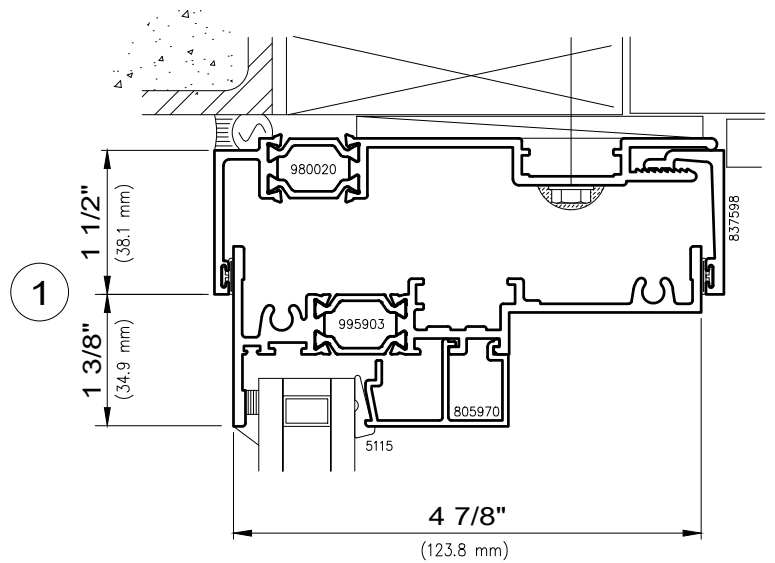
Architectural Windows

2250i/3250i/4250i-XLT INvent™ Series

Head, jamb and sill starters are available in a number of face widths and water head heights. Please refer to "Series Accessories" for more information.



4250i-XLT INvent simulated double hung windows in multiple bays must be used in conjunction with T-mullions or H-mullions. Side stacking jambs not available.





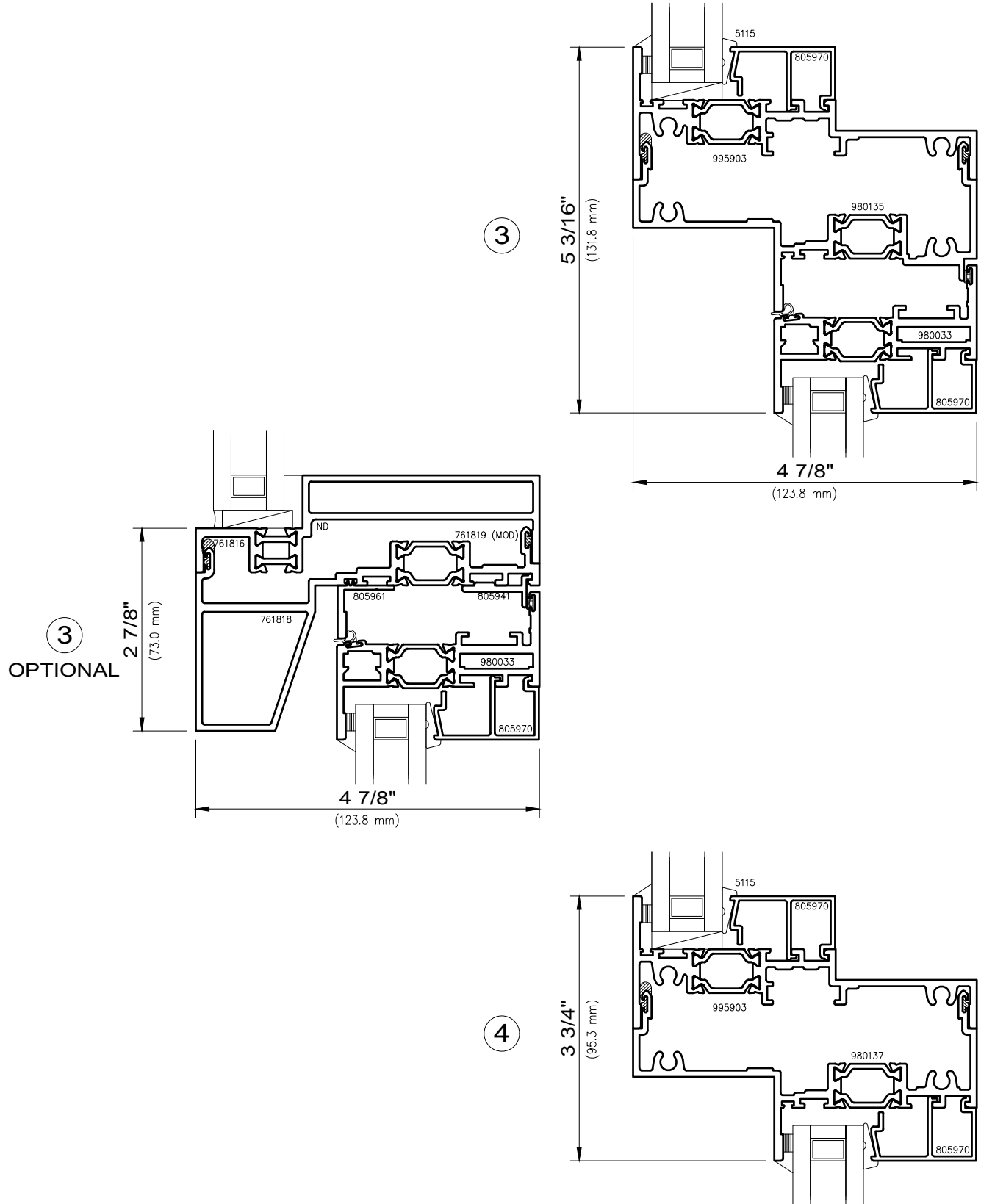
WAUSAU

WINDOW AND WALL
SYSTEMS

Simulated Double Hung
Starters and H-Mullions

Architectural Windows

2250i/3250i/4250i-XLT INvent™ Series





WAUSAU

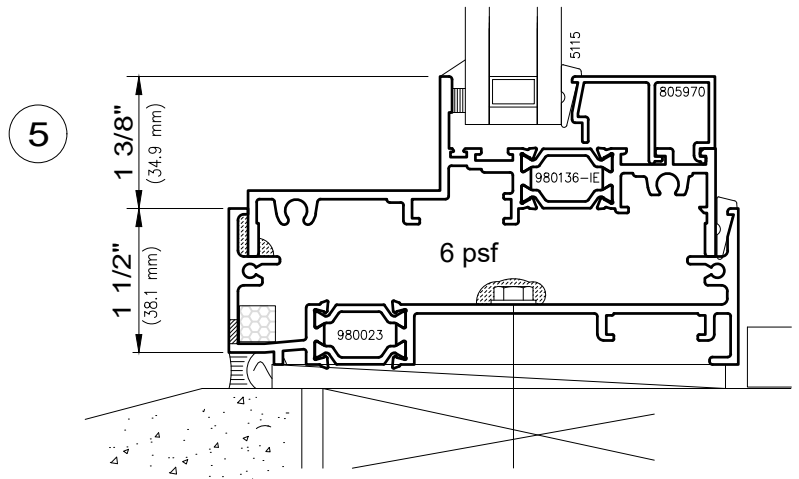
WINDOW AND WALL
SYSTEMS

Simulated Double Hung
Starters and H-Mullions

Architectural Windows

2250i/3250i/4250i-XLT INvent™ Series

4250i-XLT INvent simulated double hung windows in multiple bays must be used in conjunction with T-mullions or H-mullions. Side stacking jambs not available.





WAUSAU

WINDOW AND WALL
SYSTEMS

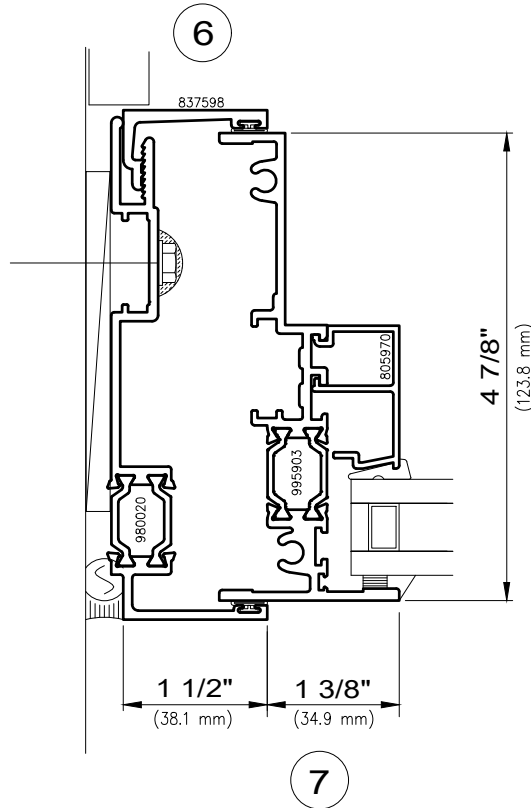
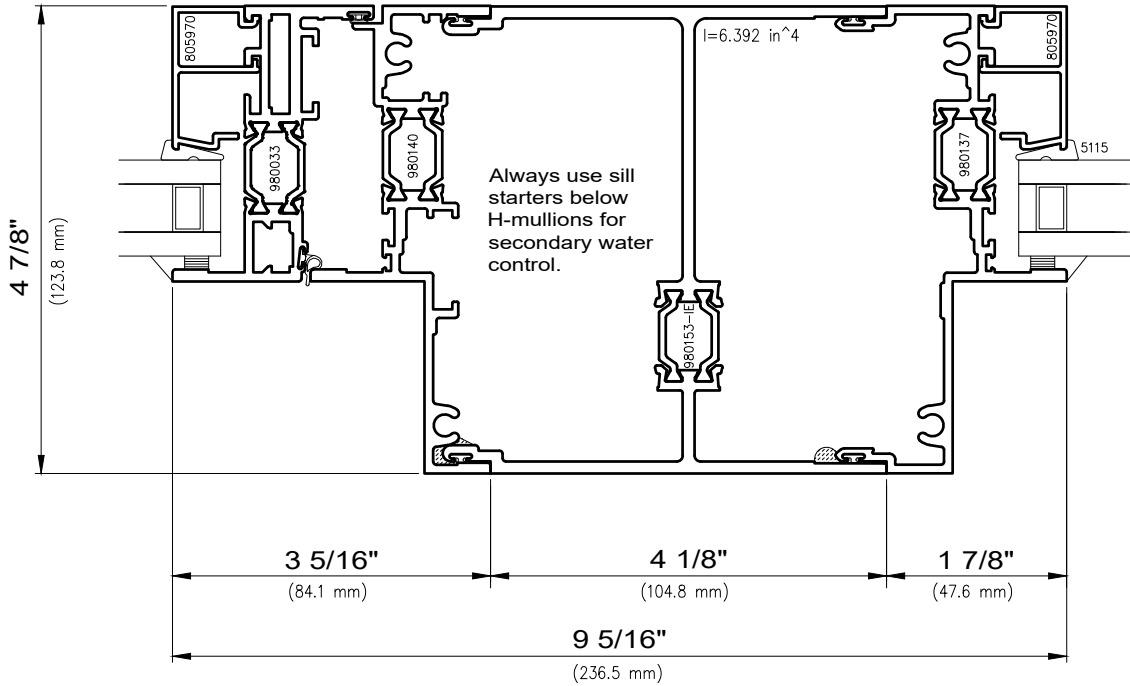
Simulated Double Hung
Starters and H-Mullions

Architectural Windows

2250i/3250i/4250i-XLT INvent™ Series

Non-stocked items shown - Minimum order quantity may apply

4250i-XLT INvent simulated double hung windows in multiple bays must be used in conjunction with T-mullions or H-mullions. Side stacking jambs not available.



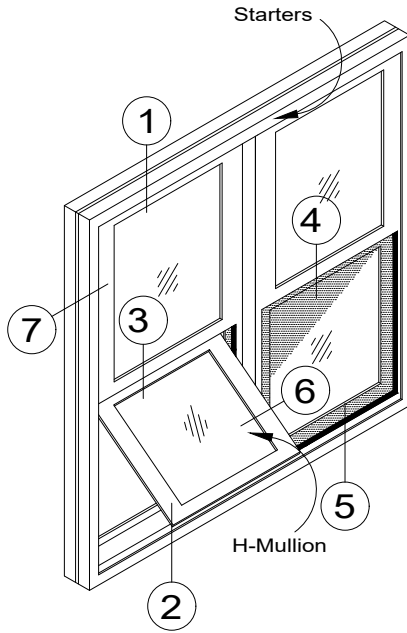
Head, jamb and sill starters are available in a number of face widths and water head heights. Please refer to "Series Accessories" for more information.



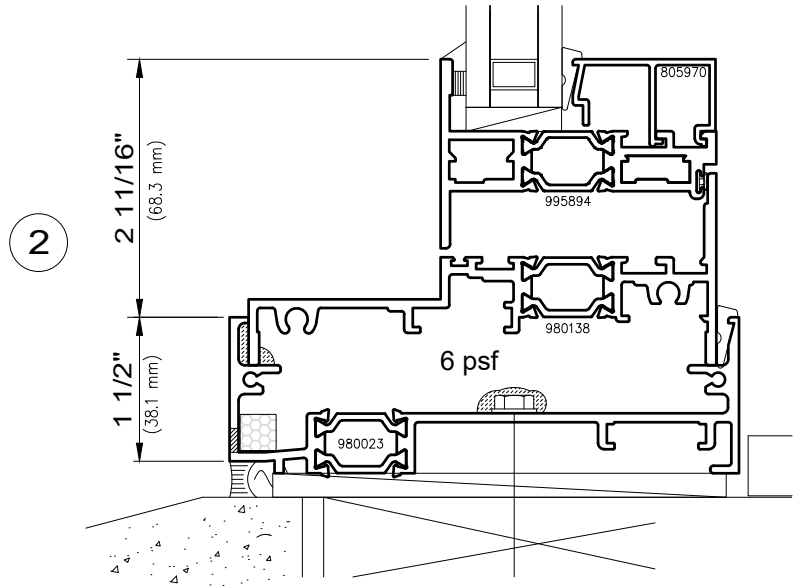
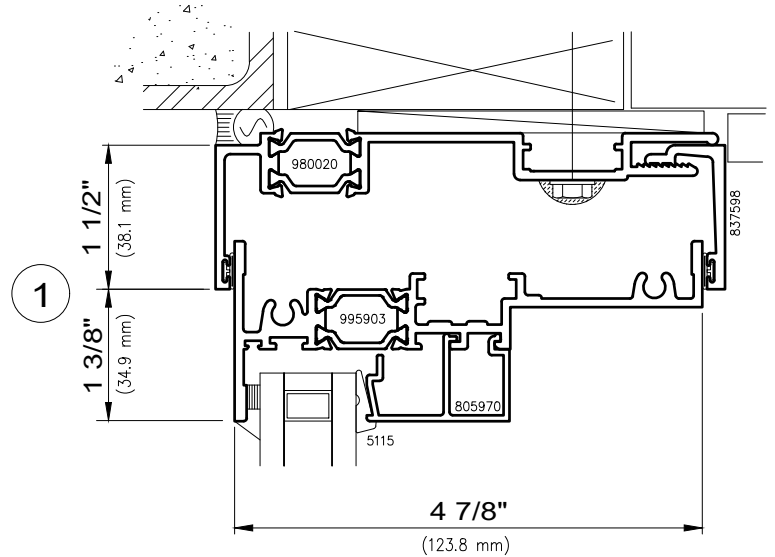
Architectural Windows

2250i/3250i/4250i-XLT INvent™ Series

Head, jamb and sill starters are available in a number of face widths and water head heights. Please refer to "Series Accessories" for more information.



4250i-XLT INvent simulated double hung windows in multiple bays must be used in conjunction with T-mullions or H-mullions. Side stacking jambs not available.





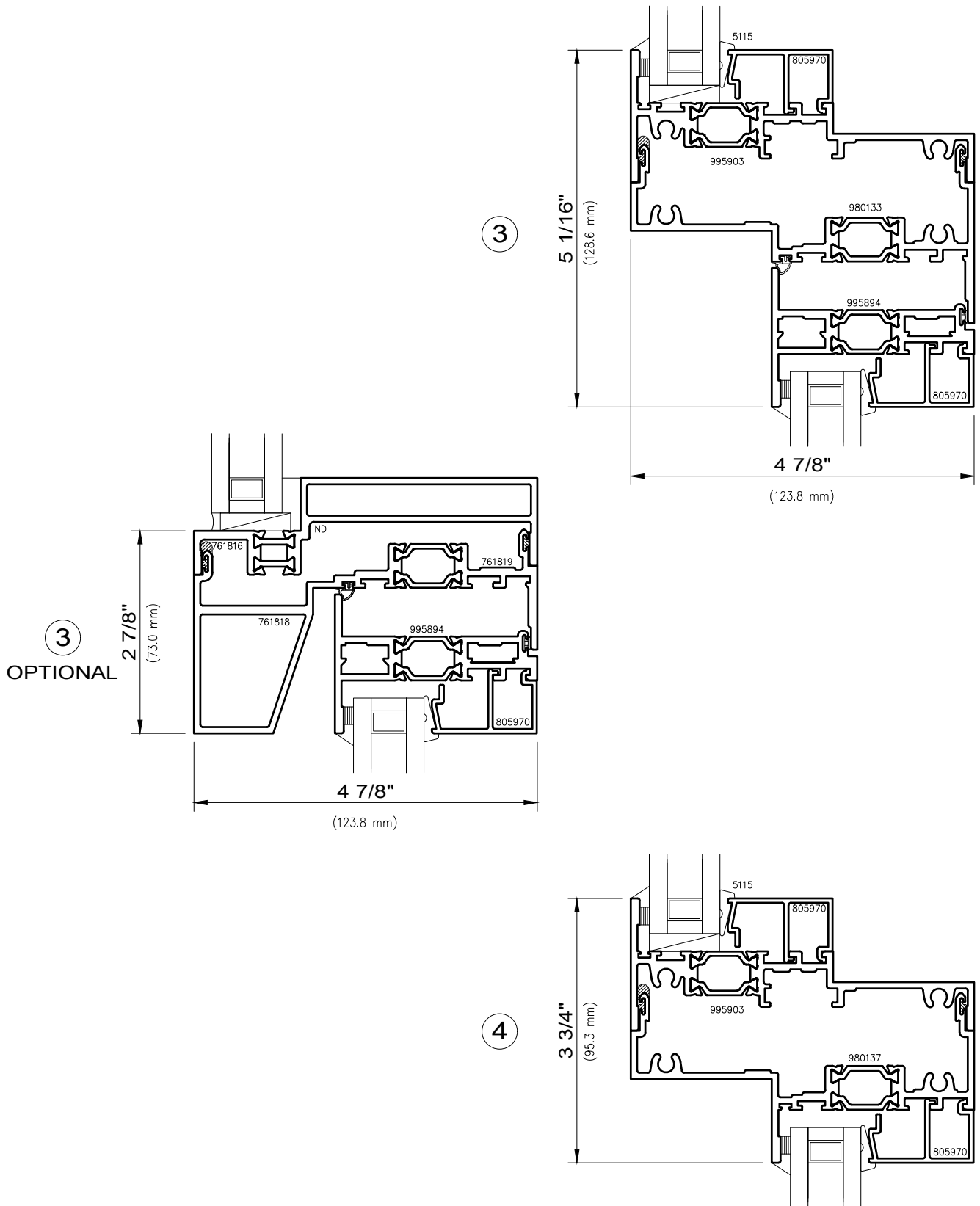
WAUSAU

WINDOW AND WALL
SYSTEMS

Simulated Double Hung
Starters and H-Mullions

Architectural Windows

2250i/3250i/4250i-XLT INvent™ Series





WAUSAU

WINDOW AND WALL
SYSTEMS

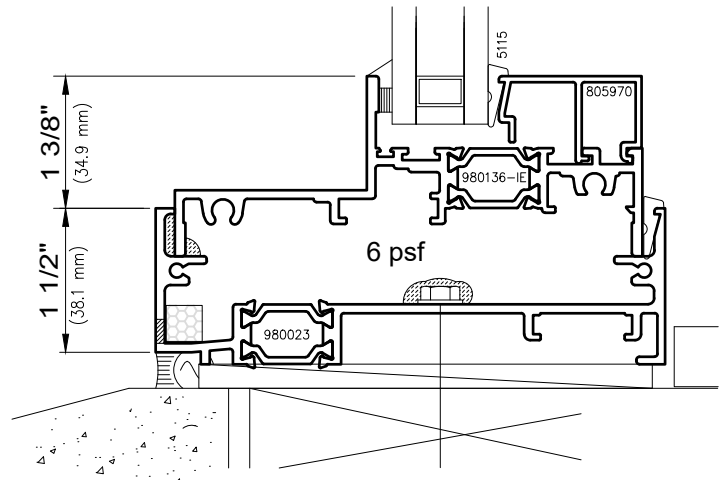
Simulated Double Hung
Starters and H-Mullions

Architectural Windows

2250i/3250i/4250i-XLT INvent™ Series

4250i-XLT INvent simulated double hung windows in multiple bays must be used in conjunction with T-mullions or H-mullions. Side stacking jambs not available.

5





WAUSAU

WINDOW AND WALL
SYSTEMS

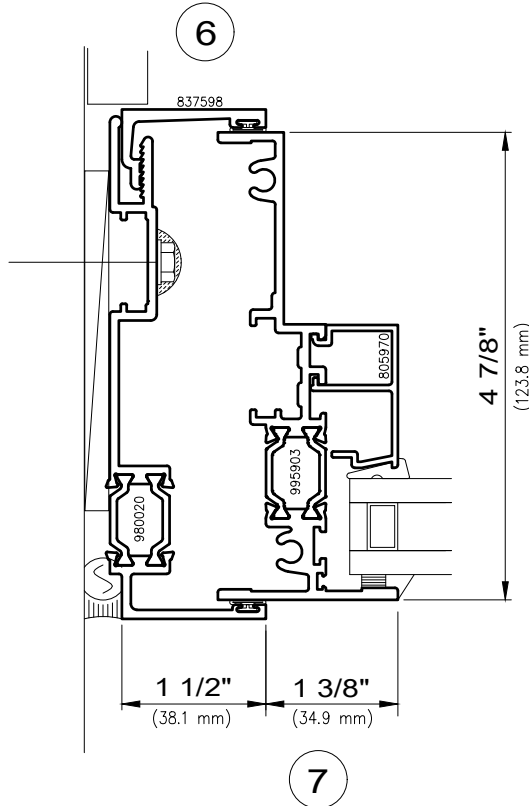
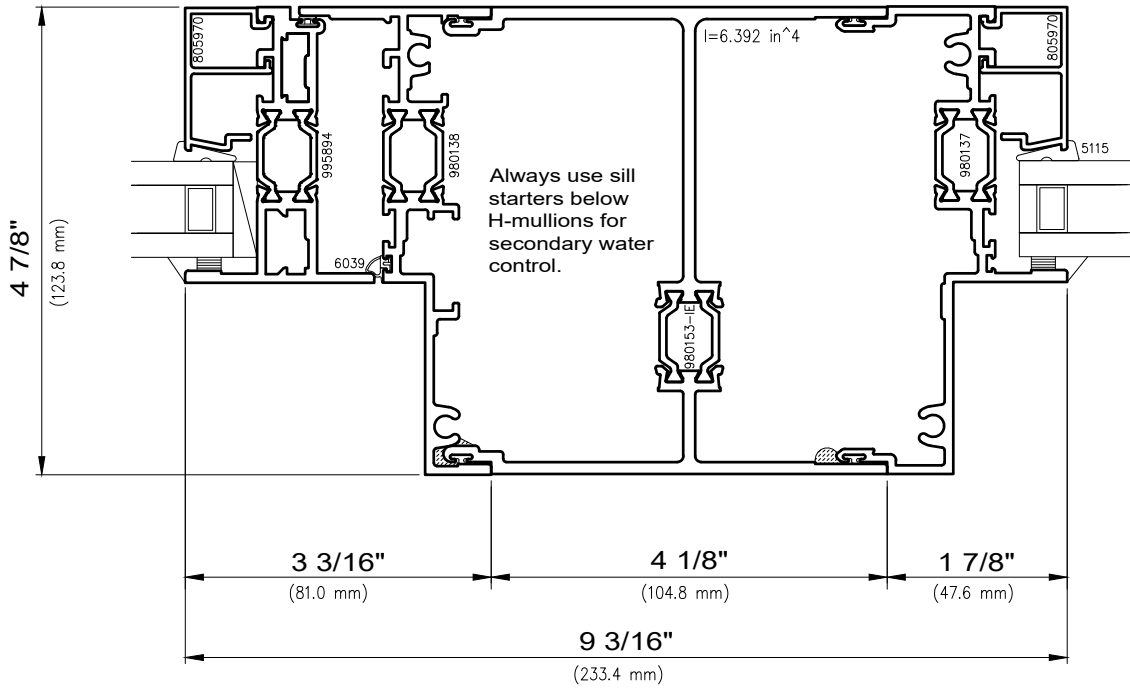
Simulated Double Hung
Starters and H-Mullions

Architectural Windows

2250i/3250i/4250i-XLT INvent™ Series

Non-stocked items shown - Minimum order quantity may apply

4250i-XLT INvent simulated double hung windows in multiple bays must be used in conjunction with T-mullions or H-mullions. Side stacking jambs not available.



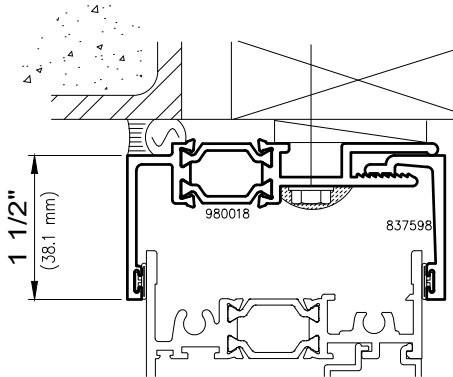
Head, jamb and sill starters are available in a number of face widths and water head heights. Please refer to "Series Accessories" for more information.



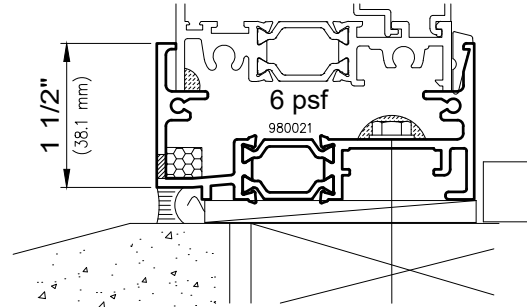
Architectural Windows

2250i/3250i/4250i-XLT INvent™ Series

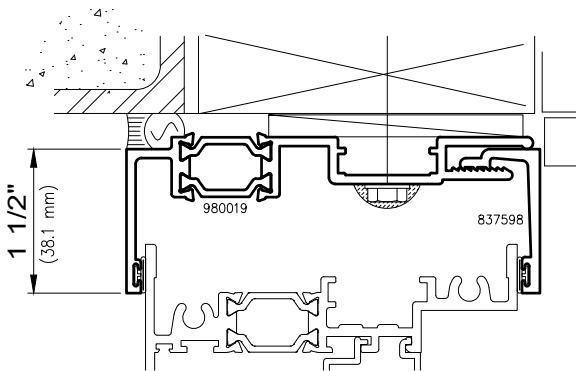
Non-stocked items shown – Minimum order quantity may apply



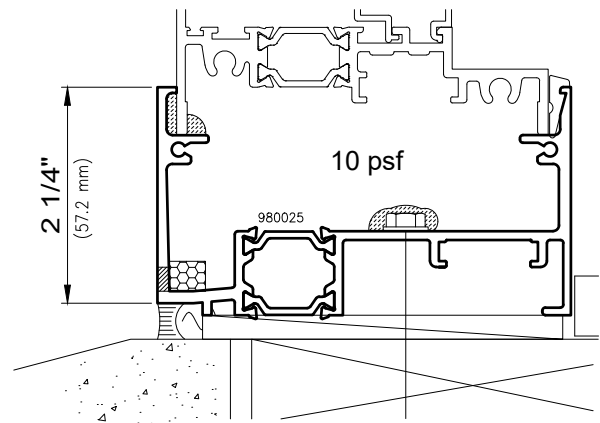
2250i-XLT Head & Jamb Starter



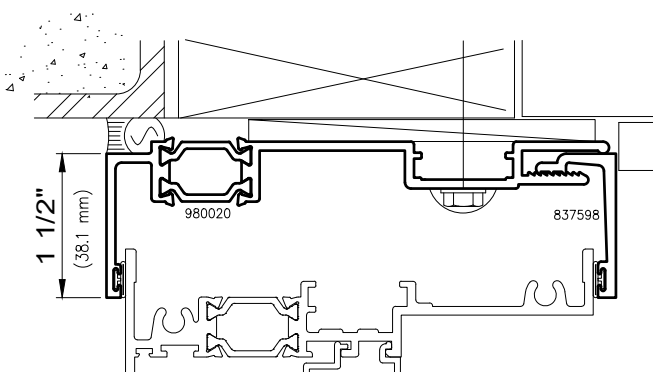
2250i-XLT Sill Starter



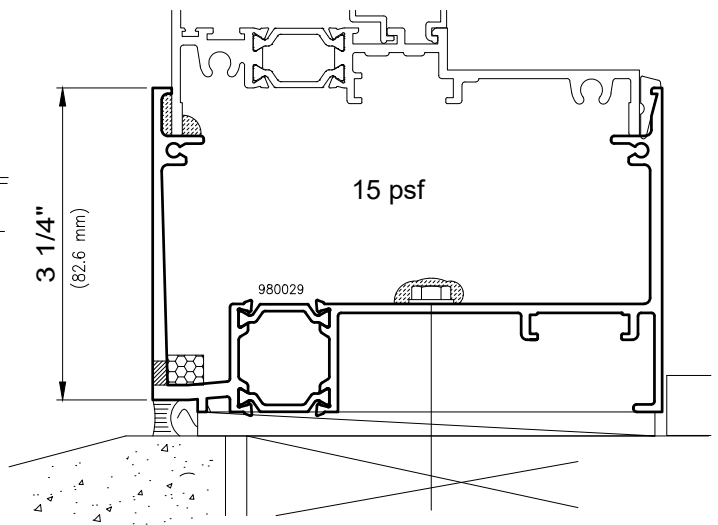
3250i-XLT Head & Jamb Starter



3250i-XLT Sill Starter



4250i-XLT Head & Jamb Starter



4250i-XLT Sill Starter

Value in psf Indicates Approximate Water Head (Without Pressure Equalization)
Other Sill Starters Available For Higher or Lower Water Test Pressures



WAUSAU

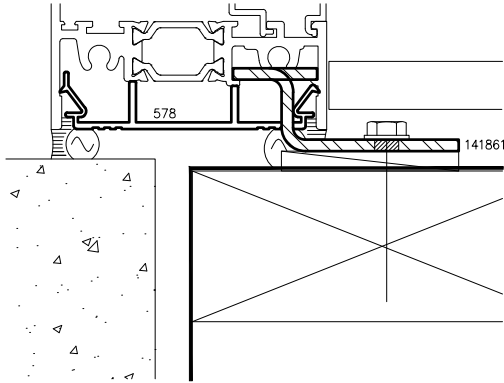
WINDOW AND WALL
SYSTEMS

Accessories
Anchor Options

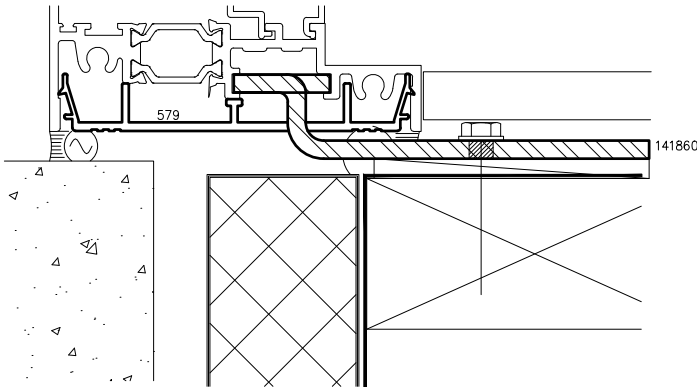
Architectural Windows

2250i/3250i/4250i-XLT INvent™ Series

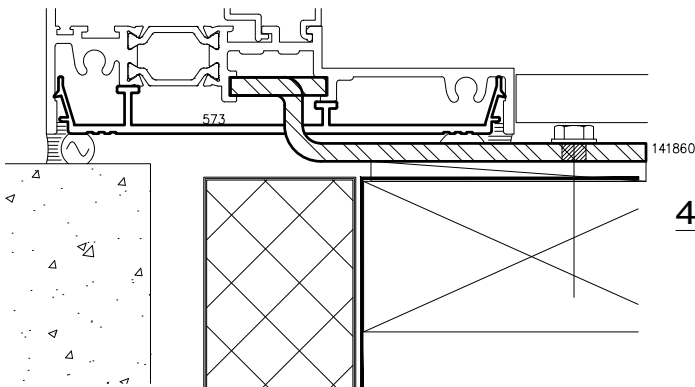
Non-stocked items shown – Minimum order quantity may apply



2250i-XLT Slide-In Anchor
1/8" (nom.) Formed Steel



3250i-XLT Heavy Duty Slide-In Anchor
3/16" (nom.) Formed Steel



4250i-XLT Heavy Duty Slide-In Anchor
3/16" (nom.) Formed Steel



WAUSAU

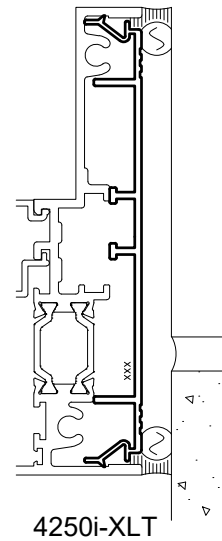
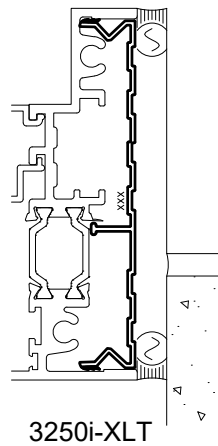
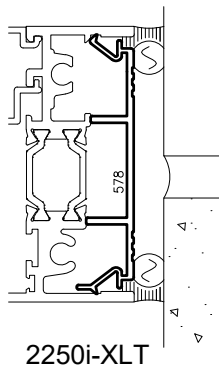
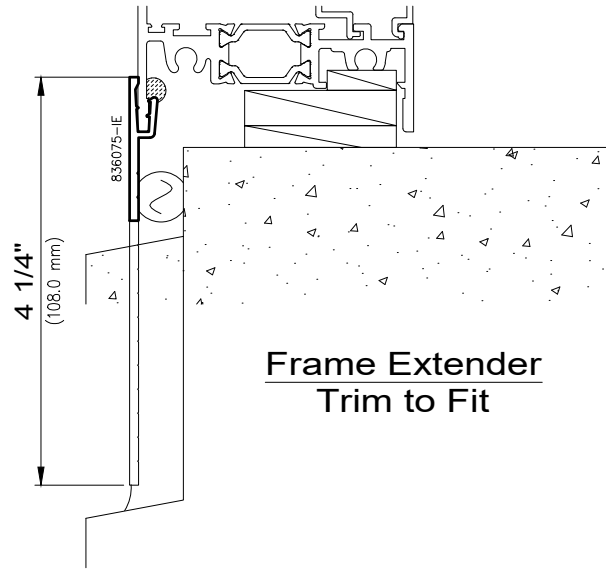
WINDOW AND WALL
SYSTEMS

Accessories
PVC Caulk Backers, Frame Extender

Architectural Windows

2250i/3250i/4250i-XLT Invent™ Series

Non-stocked items shown – Minimum order quantity may apply



PVC Caulk Backers



WAUSAU

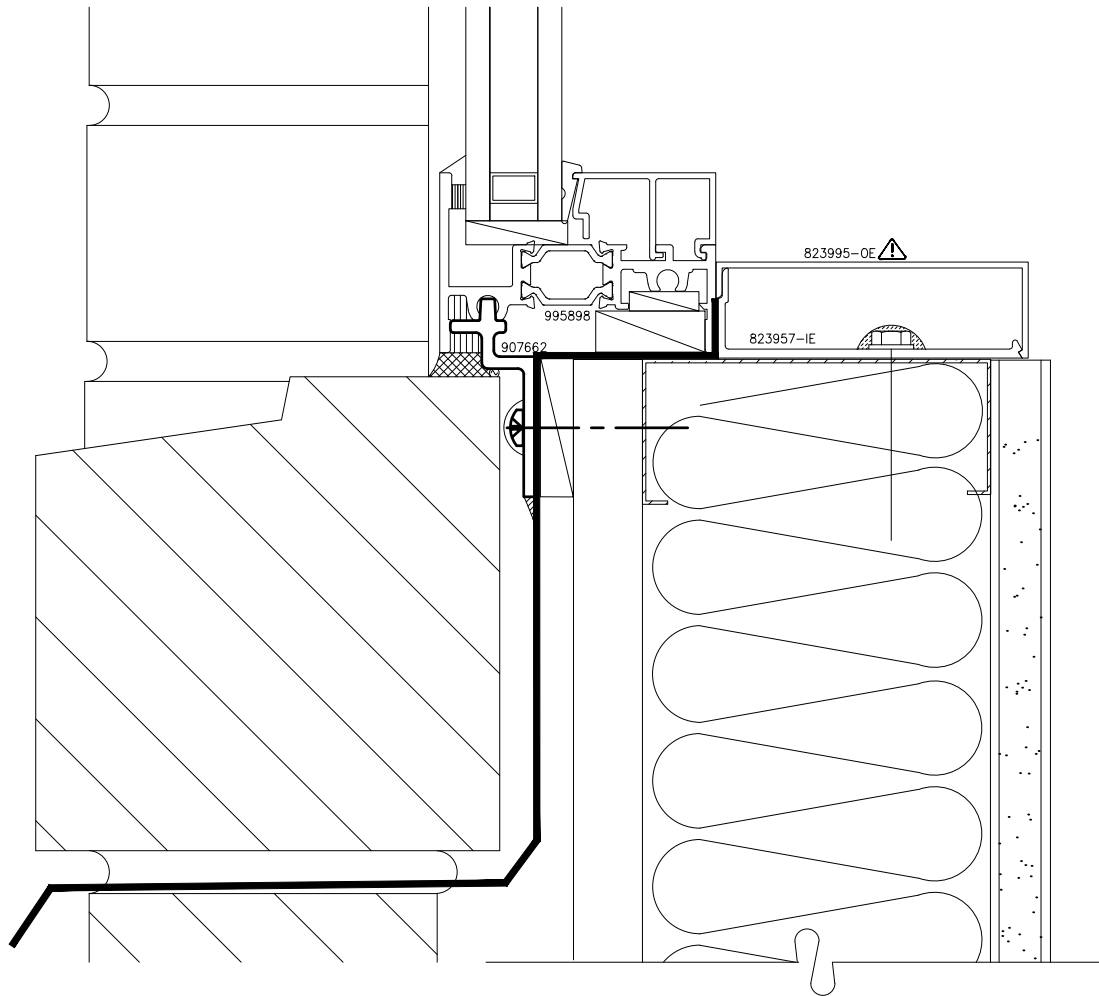
WINDOW AND WALL
SYSTEMS

Accessories
Optional Nailing Fin Anchor

Architectural Windows

2250i/3250i/4250i-XLT Invent™ Series

Non-stocked items shown – Minimum order quantity may apply



**Nailing Fin
Exterior Anchor**

- OBSOLETE TOOLING STATUS

SCALE: 6" = 1'-0"

P18-28

© 2021 Apogee Wausau Group, Inc.



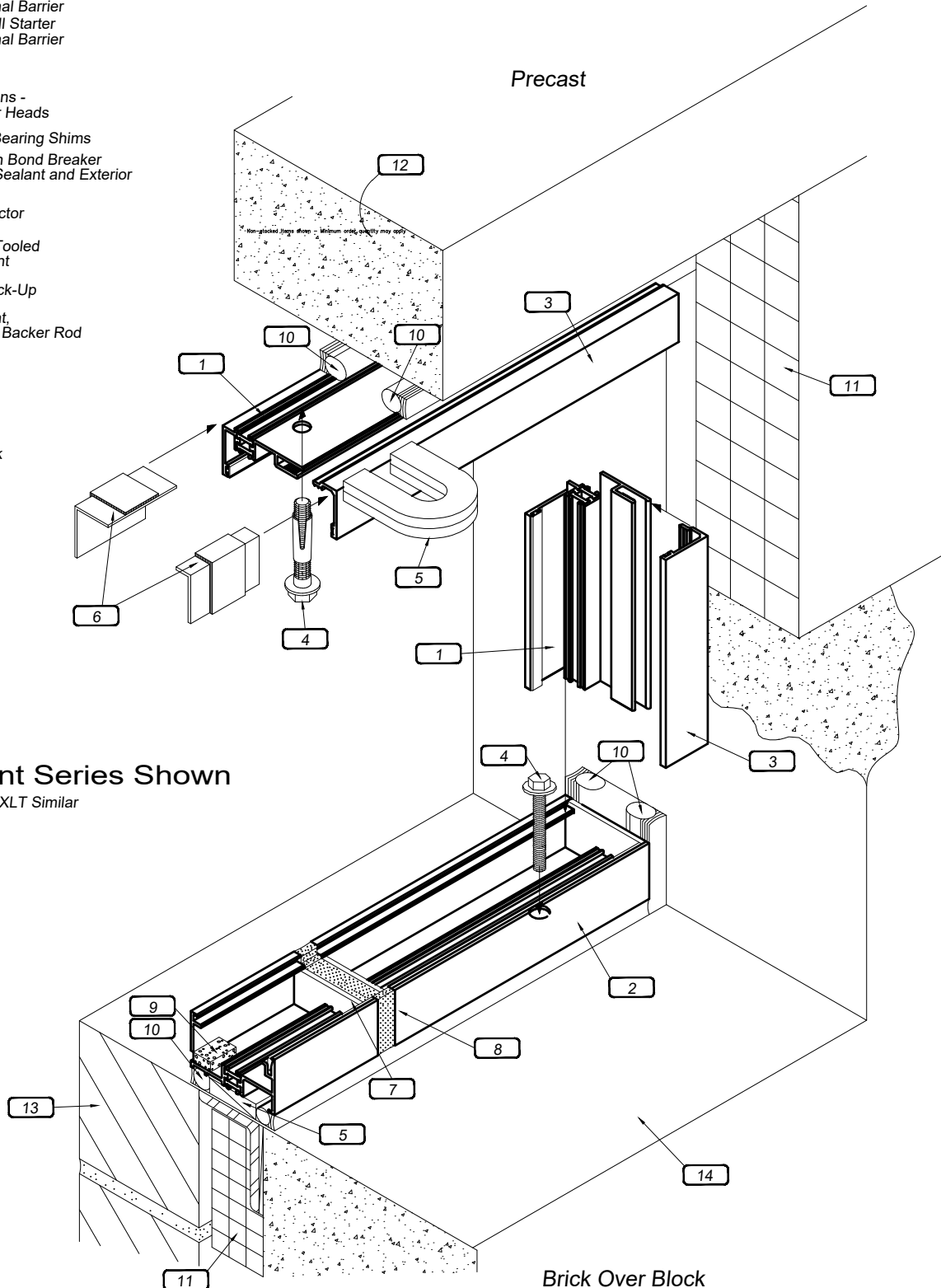
Architectural Windows

2250i/3250i/4250i-XLT INvent™ Series

Key:

- 1 Extruded Aluminum Head And Jamb Starter With Polyamide Thermal Barrier
- 2 Extruded Aluminum Sill Starter With Polyamide Thermal Barrier
- 3 Drive-On Starter Strip
- 4 Structural Attachment May Vary Per Conditions - Field Seal All Fastener Heads
- 5 Erector Installed Full-Bearing Shims
- 6 Aluminum Splices With Bond Breaker Tape - Erector Set In Sealant and Exterior Applied Sealant Joint
- 7 Aluminum Splice - Erector Set In Sealant
- 8 Erector Installed And Tooled Expansion / Splice Joint
- 9 Foam Baffle Weep Back-Up
- 10 Perimeter Sealant Joint, Specified Sealant And Backer Rod
- 11 Insulation
- 12 Stone Lintel
- 13 Brick
- 14 Interior Concrete Block

Note: Installation Conditions Vary...



2250i INvent Series Shown
-XLT Similar



Architectural Windows

2250i/3250i/4250i-XLT INvent™ Series

Frames

- 1 Extruded Frame Extender (When Required)
- 2 PVC Caulk Backer
- 3 Specified Rod And Perimeter Sealant
- 4 Erector Dead Load Shim

Anchorage (Using Slide-In Anchors)

- 5 Stainless Steel Fasteners Suitable For Substrate Material
- 6 Steel Slide-In Anchor With Fasteners (When Required At 3 1/2" And 4 1/2" Depth Systems)

Perimeter

- 7 Brick
- 8 Flashing
- 9 Insulation
- 10 Always Maintain Vapor Barrier Between Frame And Adjacent Walls
- 11 General Contractor Provide Blocking To Secure Attachment Into Steel Studs
- 12 Erector Installed Full-Bearing Shim

2250i INvent Series Shown

-XLT Similar

